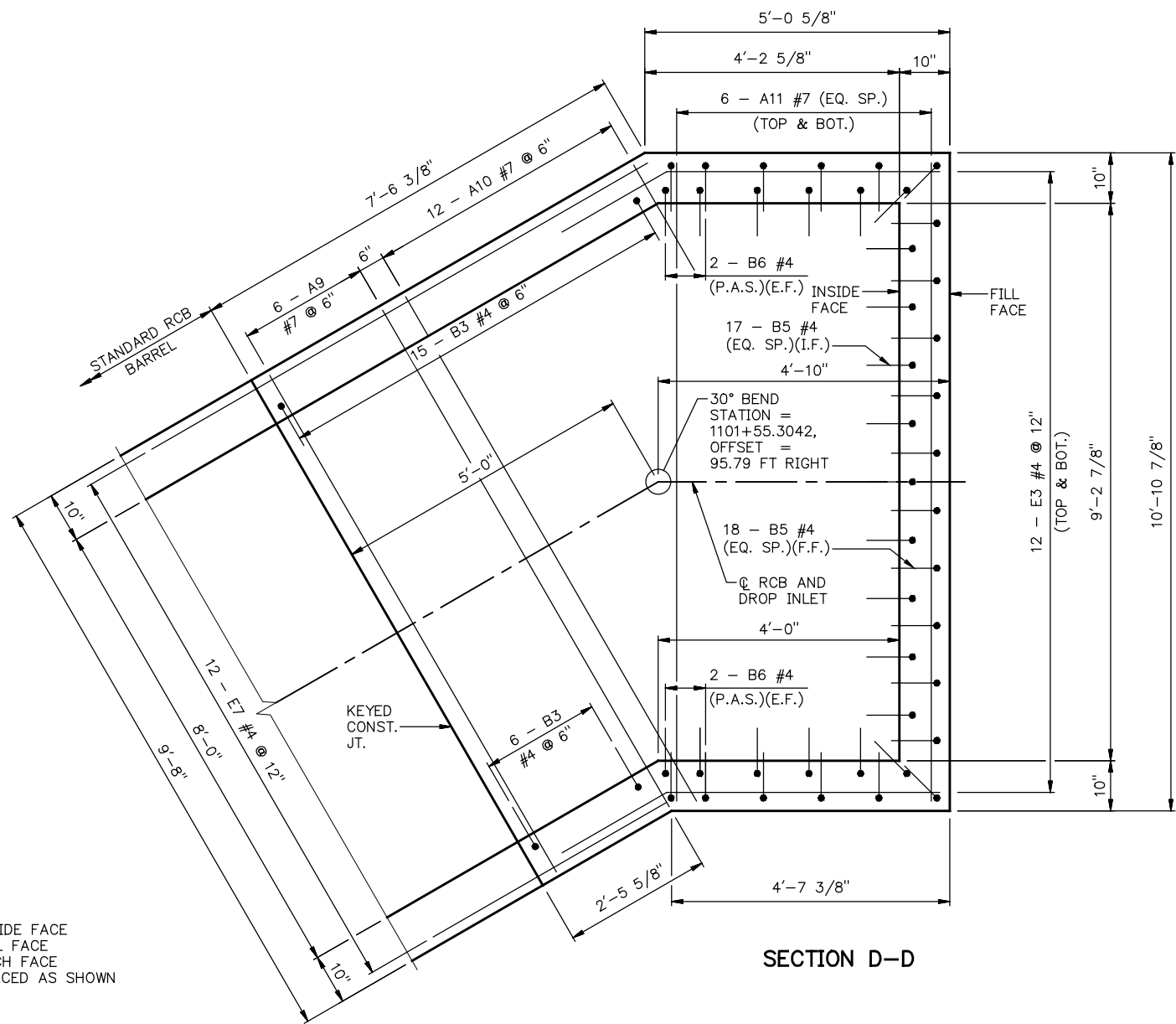
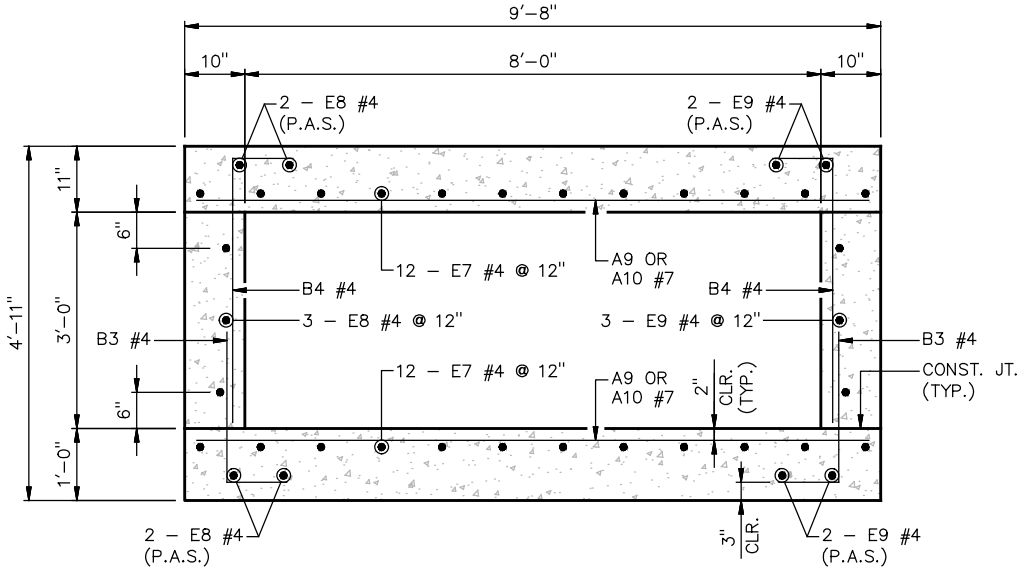


SECTION C-C

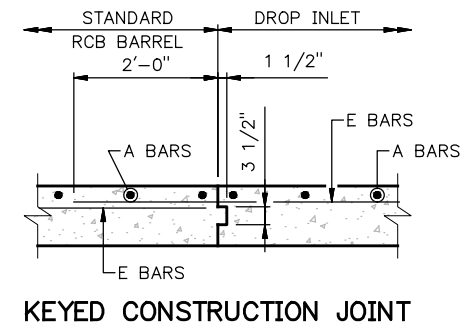
NOTES  
 I.F. = DENOTES INSIDE FACE  
 F.F. = DENOTES FILL FACE  
 E.F. = DENOTES EACH FACE  
 P.A.S. = DENOTES PLACED AS SHOWN



SECTION D-D



SECTION E-E



KEYED CONSTRUCTION JOINT

STRUCTURE 25 DETAILS  
 (DETAIL 2 OF 2)